



AllianceMotori
eco-drive

A-Y3e Series

■ Three-phase Asynchronous Motor



A-Y3e SERIES

THREE-PHASE ASYNCHRONOUS MOTOR



PRODUCT INFORMATION

A-Y3e Series three-phase asynchronous motors, developed with new technology. A-Y3e series motors are defined as totally enclosed, fan enclosed, squirrel cage type and noted for their novel design, beautiful model, compact structured, low noise, high efficiency, large torque, excellent starting performance, easy serving, etc. The motors are adopted with F class insulation and designed with assessing method for insulation system according to international practice. It enhanced greatly have reached an international advanced level of the same kind of products at the initial days of the 90s.

A-Y3e Series motors can be widely used as driving equipments of various machineries, such as machine tools, blowers, pumps, compressors, transporters, agricultural and food processing. Pedestal installation size and centre height and other indexes of the motor completely measured by A-Y3e series three-phase asynchronous motor.

SPECIFICATION

Standard | GB/T28575-2012, IEC60034-30
Rated Voltage | 220V, 240V, 380V, 400V, 415V, 440V
Rated Frequency | 50Hz, 60Hz
Connection | Y Star-connection; 4kw or less
 Δ delta-connection.
Duty/Rating | Continuous (S1)
Protections Class | IP55
Insulation Class | F
The temperature rise Class B (80k)
Installation Methods | B3/B5/B35/V1/V18
Ambient Temperature | -15°C ~+ 40°C
Altitude | Maximum 1000m Above Sea Level
Cooling Method | IC411

Note. Data May Change Without Notice

2 Pole, 3000 r/min Synchronous Speed

Motor Type	Rated Power		Rated Speed	Full load current at rated voltage Amps (A)			Efficiency EFF.	Power factor P.F.	Direct on line starting torque ratio	Direct on line starting current ratio	Direct on line pull out torque ratio	Mean sound pressure level @1m on no load Noise	Rotor inertia WK ² J
	kW	HP	r/min	380V	400V	415V	%	CosΦ	RLT	RLA	RLT	LwdB(A)	Kg.m ² •10 ³
80M1-2	0.8	1	2840	1.77	1.74	1.68	75.0	0.83	2.2	6.1	2.3	67	0.75
80M2-2	1.1	1.5	2840	2.61	2.48	2.39	76.2	0.84	2.2	6.9	2.3	67	0.9
90S-2	1.5	2	2850	3.46	3.28	3.16	78.5	0.84	2.2	7.0	2.3	72	1.2
90L-2	2.2	3	2855	4.85	4.61	4.45	81.0	0.85	2.2	7.0	2.3	72	1.4
100L-2	3	4	2860	6.34	6.03	5.81	82.6	0.87	2.2	7.5	2.3	76	2.9
112M-2	4	5.5	2880	8.2	7.79	7.51	84.2	0.88	2.2	7.5	2.3	77	5.5
132S1-2	5.5	7.5	2900	11.1	10.53	10.15	85.7	0.88	2.2	7.5	2.3	80	10.9
132S2-2	7.5	10	2900	14.9	14.1	13.6	87.0	0.88	2.2	7.5	2.3	80	12.6
132M1-2	11	15	2930	21.2	20.2	19.5	88.4	0.89	2.2	7.5	2.3	86	37.7
160M2-2	15	20	2930	28.6	27.2	26.2	89.4	0.89	2.2	7.5	2.3	86	49.9
160L-2	18.5	25	2930	34.7	33.0	31.8	90.0	0.90	2.2	7.5	2.3	86	55
180M-2	22	30	2940	41	39.0	37.6	90.5	0.90	2.0	7.5	2.3	89	75
200L1-2	30	40	2950	55.4	52.6	50.7	91.4	0.90	2.0	7.5	2.3	92	124
200L2-2	38	50	2950	67.9	64.5	62.2	92.0	0.90	2.0	7.5	2.3	92	139
225M-2	45	60	2960	82.1	78.0	75.2	92.5	0.90	2.0	7.5	2.3	92	233
250M-2	55	75	2970	100	94.8	91.4	93.0	0.90	2.0	7.5	2.3	93	312
280S-2	75	100	2975	135	129	124	93.6	0.90	2.0	7.0	2.3	94	579
280M-2	90	125	2975	160	152	147	93.9	0.91	2.0	7.1	2.3	94	675
315S-2	110	150	2975	195	186	179	94.0	0.91	1.8	7.1	2.2	96	1180
315M-2	132	180	2975	233	222	214	94.5	0.91	1.8	7.1	2.2	96	1820
315L1-2	160	220	2975	279	265	256	94.6	0.92	1.8	7.1	2.2	99	2080
315L2-2	200	270	2975	348	331	319	94.8	0.92	1.8	7.1	2.2	99	2380
355M-2	250	340	2980	433	412	397	95.2	0.92	1.6	7.1	2.2	103	3000
355L-2	315	430	2980	545	518	499	95.4	0.92	1.6	7.1	2.2	103	3500

Note. Data May Change Without Notice

PERFORMANCE PARAMETERS

A-Y3e SERIES

4-Pole, 1500 r/min Synchronous Speed

Motor Type	Rated Power		Rated Speed r/min	Full load current at rated voltage Amps (A)			Efficiency EFF. %	Power Factor P.F. CosΦ	Direct on line starting torque ratio RLT	Direct on line starting current ratio RLA	Direct on line pull out torque ratio RLT	Mean sound pressure level @ 1m on no load Noise LwdB(A)	Rotor inertia WK ² J Kg.m ² ·10 ⁻³
	kW	HP		380V	400V	415V							
80M1-4	0.55	0.75	1390	1.57	1.49	1.44	71	0.75	2.4	5.2	2.3	58	1.8
80M2-4	0.8	1	1390	2.05	1.95	1.88	73	0.76	2.3	6.0	2.3	58	2.1
90S-4	1.1	1.5	1390	2.85	2.71	2.61	76.2	0.77	2.3	6.0	2.3	61	2.3
90L-4	1.5	2	1400	3.72	3.54	3.41	78.5	0.78	2.3	6.0	2.3	61	2.7
100L1-4	2.2	3	1420	5.09	4.90	4.72	81	0.81	2.3	7.0	2.3	64	5.4
100L2-4	3	4	1420	6.78	6.39	6.16	82.6	0.82	2.3	7.0	2.3	64	6.7
112M-4	4	5.5	1435	8.8	8.36	8.06	84.2	0.82	2.3	7.0	2.3	65	9.5
132S-4	5.5	7.5	1440	11.7	11.2	10.8	85.7	0.83	2.3	7.0	2.3	71	21.4
132M-4	7.5	10	1450	15.6	14.8	14.3	87	0.84	2.3	7.0	2.3	71	29.6
160M-4	11	15	1460	22.5	21.4	20.6	88.4	0.84	2.2	7.0	2.3	75	74.7
160L-4	15	20	1460	30	28.5	27.5	89.4	0.85	2.2	7.5	2.3	75	91.8
180M-4	18.5	25	1470	36.3	34.5	33.3	90	0.86	2.2	7.5	2.3	76	139
180L-4	22	30	1470	43.2	40.8	39.3	90.5	0.86	2.2	7.5	2.3	76	158
200L-4	30	40	1470	57.6	55.1	53.1	91.4	0.86	2.2	7.2	2.3	79	262
225S-4	38	50	1475	70.2	66.7	64.3	92	0.87	2.2	7.2	2.3	81	406
225M-4	45	60	1475	84.9	80.7	77.8	92.5	0.87	2.2	7.2	2.3	81	469
250M-4	55	75	1480	103	98.1	94.6	93	0.87	2.2	7.2	2.3	83	660
280S-4	75	100	1480	138.3	131	127	93.6	0.88	2.2	6.8	2.3	86	1120
280M-4	90	125	1480	165	157	152	93.9	0.88	2.2	6.8	2.3	86	1640
315S-4	110	150	1480	201	191	184	94.5	0.88	2.1	6.9	2.2	93	3100
315M-4	132	180	1480	240	228	220	94.8	0.88	2.1	6.9	2.2	93	3620
315L1-4	160	220	1480	288	273	264	94.9	0.89	2.1	6.9	2.2	97	4130
315L2-4	200	270	1480	360	342	329	94.9	0.89	2.1	6.9	2.2	97	4730
355M-4	250	340	1490	443	421	406	95.2	0.90	2.1	6.9	2.2	101	6500
355L-4	315	430	1490	559	531	511	95.2	0.90	2.1	6.9	2.2	101	8200

Note. Data May Change Without Notice

6-Pole, 1000 r/min Synchronous Speed

Motor Type	Rated Power		Rated Speed r/min	Full load current at rated voltage Amps (A)			Efficiency EFF. %	Power factor P.F. CosΦ	Direct on line starting torque ratio RLT	Direct on line starting current ratio RLA	Direct on line pull out torque ratio RLT	Mean sound pressure level @1m on no load Noise LwdB(A)	Rotor inertia WK ² J Kg.m ² ×10 ³
	kW	HP		380V	400V	415V							
80M1-6	0.37	0.5	880	1.3	1.23	1.19	62	0.70	1.9	4.7	2.0	54	1.6
80M2-6	0.55	0.75	880	1.8	1.70	1.64	65	0.72	1.9	4.7	2.1	54	1.9
90S-6	0.8	1	905	2.29	2.18	2.10	69	0.72	2.0	5.3	2.1	57	2.9
90L-6	1.1	1.5	905	3.18	3.02	2.91	72	0.73	2.0	5.5	2.1	57	3.5
100L-6	1.5	2	920	4	3.80	3.66	76	0.75	2.0	5.5	2.1	61	6.9
112M-6	2.2	3	935	5.6	5.29	5.10	79	0.76	2.0	6.5	2.1	65	14
132S-6	3	4	960	7.4	7.03	6.78	81	0.76	2.1	6.5	2.1	69	28.6
132M1-6	4	5.5	960	9.75	9.26	8.93	82	0.76	2.1	6.5	2.1	69	35.7
132M2-6	5.5	7.5	960	12.9	12.3	11.8	84	0.77	2.1	6.5	2.1	69	44.9
160M-6	7.5	10	970	17.2	16.3	15.8	86	0.77	2.0	6.5	2.1	73	81
160L-6	11	15	970	24.5	23.3	22.4	87.5	0.78	2.0	6.5	2.1	73	116
180L-6	15	20	970	31.6	30.0	28.9	89	0.81	2.0	7.0	2.1	73	207
200L1-6	18.5	25	980	38.6	36.6	35.3	90	0.81	2.1	7	2.1	76	315
200L2-6	22	30	980	44.7	42.5	41.0	90	0.83	2.0	7	2.1	76	360
225M-6	30	40	980	59.3	56.3	54.3	91.5	0.84	2.0	7	2.1	76	547
250M-6	38	50	980	71	67.5	65.1	92	0.86	2.1	7	2.1	78	843
280S-6	45	60	980	86	81.7	78.1	92.5	0.86	2.1	7	2	80	1390
280M-6	55	75	980	104	99.5	95.9	92.8	0.86	2.1	7	2	80	1650
315S-6	75	100	985	142	135	130	93.5	0.86	2.0	6.7	2	85	4110
315M-6	90	125	985	169	161	155	93.8	0.86	2.0	6.7	2	85	4780
315L1-6	110	150	985	207	196	189	94	0.86	2.0	6.7	2	85	5450
315L2-6	132	180	985	245	232	224	94.2	0.87	2.0	6.7	2	85	6120
355M1-6	160	220	990	292	278	268	94.5	0.88	1.9	6.7	2	92	9500
355M2-6	200	270	990	365	347	335	94.5	0.88	1.9	6.7	2	92	10400
355L-6	250	340	990	457	434	418	94.5	0.88	1.9	6.7	2	92	12400

Note. Data May Change Without Notice

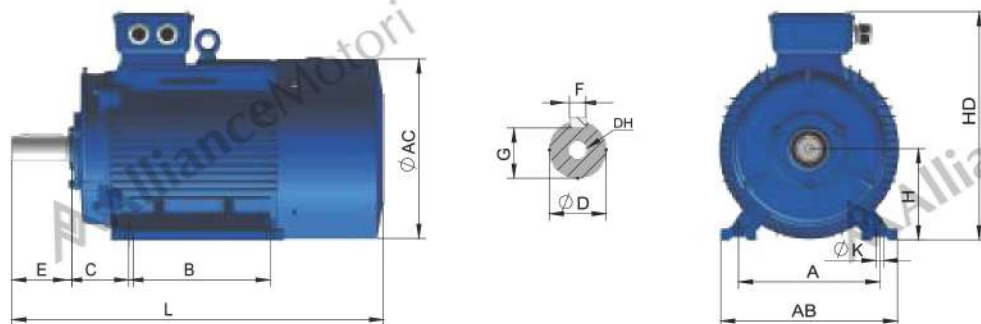
PERFORMANCE PARAMETERS

A-Y3e SERIES

8-Pole, 750 r/min Synchronous Speed

Motor Type	Rated Power		Rated Speed	Full load current at rated voltage Amps (A)			Efficiency EFF.	Power factor P.F.	Direct on line starting torque ratio	Direct on line starting current ratio	Direct on line pull out torque ratio	Mean sound pressure level @1m on no load Noise	Rotor inertia WK ² J
	kW	HP	r/min	380V	400V	415V	%	CosΦ	RLT	RLA	RLT	LwdB(A)	Kg.m ² *10 ³
80M1-8	0.18	0.25	645	0.88	0.84	0.80	51	0.61	1.8	3.3	1.9	52	2.5
80M2-8	0.25	0.34	645	1.15	1.10	1.06	54	0.61	1.8	3.3	1.9	52	3.0
90S-8	0.37	0.5	675	1.49	1.41	1.36	62	0.61	1.8	4	1.9	56	5.1
90L-8	0.55	0.75	680	2.17	2.07	1.99	63	0.61	1.8	4	2	56	6.5
100L1-8	0.8	1	680	2.43	2.31	2.22	70	0.67	1.8	4	2	59	9.0
100L2-8	1.1	1.5	680	3.36	3.20	3.08	72	0.69	1.8	5	2	59	11.0
112M-8	1.5	2	690	4.4	4.18	4.03	74	0.70	1.8	5	2	61	24.5
132S-8	2.2	3	710	6.0	5.66	5.46	79	0.71	1.8	6	2	64	31.4
132M-8	3	4	710	7.8	7.41	7.15	80	0.73	1.8	6	2	64	39.5
160M1-8	4	5.5	720	10.3	9.76	9.41	81	0.73	1.9	6	2	68	75.3
160M2-8	5.5	7.5	720	13.6	12.9	12.5	83	0.74	1.9	6	2	68	93.1
160L-8	7.5	10	720	17.8	16.9	16.3	85.5	0.75	1.9	6	2	68	126
180L-8	11	15	730	25.5	24.2	23.3	87.5	0.75	2	6.5	2	70	203
200L-8	15	20	730	34.1	32.4	31.2	88	0.76	2	6.6	2	73	339
225S-8	18.5	25	730	41.1	39.0	37.6	90	0.76	1.9	6.6	2	73	491
225M-8	22	30	730	48.9	45.0	43.4	90.5	0.78	1.9	6.6	2	73	547
250M-8	30	40	735	63	60.2	58.1	91	0.79	1.9	6.5	2	75	834
280S-8	38	50	740	78	73.9	71.2	91.5	0.79	1.9	6.6	2	76	1650
280M-8	45	60	740	94	89.4	86.1	92	0.79	1.9	6.6	2	76	1930
315S-8	55	75	735	111	106	102	92.8	0.81	1.8	6.6	2	82	4790
315M-8	75	100	735	150	143	138	93.5	0.81	1.8	6.2	2	82	5580
315L1-8	90	125	735	178	169	163	93.8	0.82	1.8	6.4	2	82	6370
315L2-8	110	150	735	217	206	199	94	0.82	1.8	6.4	2	82	7230
355M1-8	132	180	740	261	248	239	93.7	0.82	1.8	6.4	2	90	7900
355M2-8	160	220	740	315	299	288	94.2	0.82	1.8	6.4	2	90	10300
355L-8	200	270	740	387	368	355	94.5	0.83	1.8	6.4	2	90	12300

Note. Data May Change Without Notice



B3

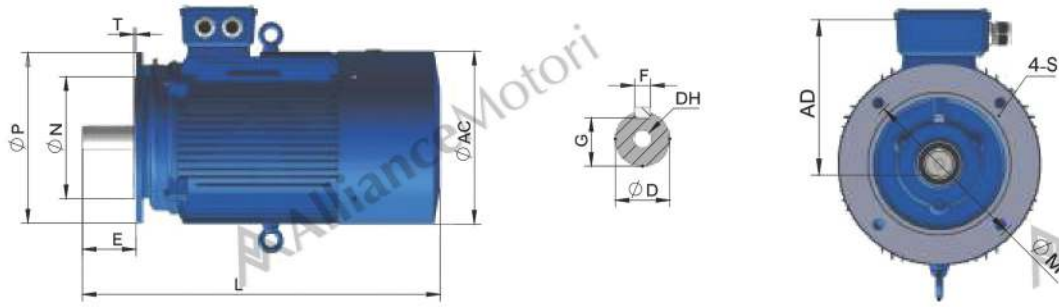
Frame with feet and end-shield | IM B3

Frame Size	Poles	A	A/2	B	C	D	E	F	G	H	K	AB	AC	AD	HD	L	DH*
80M	2 4 6 8	125	62.5	100	50	19	40	6	15.5	80	10	165	155	145	220	295	M6X16
90S	2 4 6 8	140	70	100	56	24	50	8	20	90	10	180	175	155	250	320	M8X19
90L	2 4 6 8	140	70	125	56	24	50	8	20	90	10	180	175	155	250	345	M8X19
100L	2 4 6 8	160	80	140	63	28	60	8	24	100	12	205	196	180	270	385	M10X22
112M	2 4 6 8	190	95	140	70	28	60	8	24	112	12	230	220	190	300	400	M10X22
132S	2 4 6 8	216	108	140	89	38	80	10	33	132	12	270	259	210	345	470	M12X28
132M	2 4 6 8	216	108	178	89	38	80	10	33	132	12	270	259	210	345	510	M12X28
160M	2 4 6 8	254	127	210	108	42	110	12	37	160	15	320	315	255	420	615	M16X36
160L	2 4 6 8	254	127	254	108	42	110	12	37	160	15	320	315	255	420	660	M16X36
180M	2 4 6 8	279	139.5	241	121	48	110	14	42.5	180	15	355	355	280	455	700	M16X36
180L	2 4 6 8	279	139.5	279	121	48	110	14	42.5	180	15	355	355	280	455	740	M16X36
200L	2 4 6 8	318	159	305	133	55	110	16	49	200	19	395	397	305	505	770	M20X42
225S	4 8	356	178	286	149	60	140	18	53	225	19	435	445	335	560	815	M20X42
225M	2	356	178	311	149	55	110	16	49	225	19	435	445	335	560	820	M20X42
	4 6 8	356	178	311	149	60	140	18	53	225	19	435	445	335	560	845	M20X42
250M	2	406	203	349	168	60	140	18	53	250	24	490	485	370	615	920	M20X42
	4 6 8	406	203	349	168	65	140	18	58	250	24	490	485	370	615	920	M20X42
280S	2	457	228.5	358	190	65	140	18	58	280	24	550	547	410	680	995	M20X42
	4 6 8	457	228.5	358	190	75	140	20	67.5	280	24	550	547	410	680	995	M20X42
280M	2	457	228.5	419	190	65	140	18	58	280	24	550	547	410	680	1045	M20X42
	4 6 8	457	228.5	419	190	75	140	20	67.5	280	24	550	547	410	680	1045	M20X42
315S	2	508	254	406	216	65	140	18	58	315	28	635	620	530	845	1185	M20X42
	4 6 8 10	508	254	406	216	80	170	22	71	315	28	635	620	530	845	1220	M20X42
315M	2	508	254	457	216	65	140	18	58	315	28	635	620	530	845	1290	M20X42
	4 6 8 10	508	254	457	216	80	170	22	71	315	28	635	620	530	845	1325	M20X42
315L	2	508	254	508	216	65	140	18	58	315	28	635	620	530	845	1290	M20X42
	4 6 8 10	508	254	508	216	80	170	22	71	315	28	635	620	530	845	1325	M20X42
355M	2	610	305	560	254	75	140	20	67.5	355	28	730	698	655	1010	1500	M20X42
	4 6 8 10	610	305	560	254	95	170	25	86	355	28	730	698	655	1010	1530	M20X42
355L	2	610	305	630	254	75	140	20	67.5	355	28	730	698	655	1010	1500	M20X42
	4 6 8 10	610	305	630	254	95	170	25	86	355	28	730	698	655	1010	1530	M20X42

Note. Data May Change Without Notice

DIMENSIONS MOUNT

A-Y3e SERIES

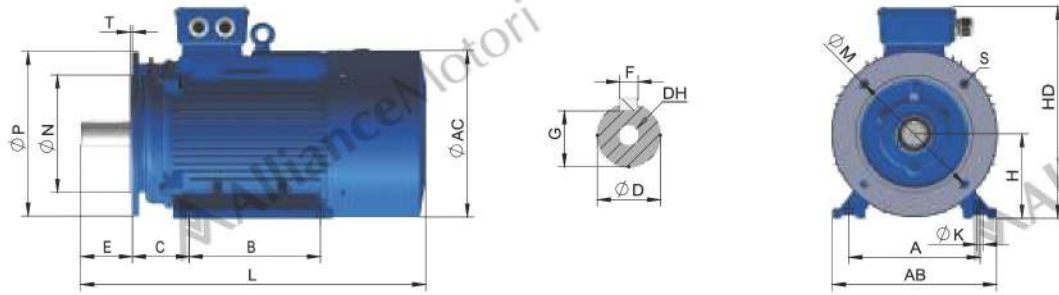


B5

IM B5 | Frame without feet and end-shield with flange

Frame Size	Poles	D	E	F	G	M	N	P	S	T	Flange Holes	AC	AD	HF	L	DH*
80M	2 4 6 8	19	40	6	15.5	165	130	200	12	3.5	4	155	145	185	295	M6X16
90S	2 4 6 8	24	50	8	20	165	130	200	12	3.5	4	175	155	195	320	M8X19
90L	2 4 6 8	24	50	8	20	165	130	200	12	3.5	4	175	155	195	345	M8X19
100L	2 4 6 8	28	60	8	24	215	180	250	15	4	4	196	180	245	385	M10X22
112M	2 4 6 8	28	60	8	24	230	180	250	15	4	4	220	190	265	400	M10X22
132S	2 4 6 8	38	80	10	33	265	230	300	15	4	4	259	210	315	470	M12X28
132M	2 4 6 8	38	80	10	33	265	230	300	15	4	4	259	210	315	510	M12X28
160M	2 4 6 8	42	110	12	37	300	250	350	19	5	4	315	255	385	615	M16X36
160L	2 4 6 8	42	110	12	37	300	250	350	19	5	4	315	255	385	660	M16X36
180M	2 4 6 8	48	110	14	42.5	300	250	350	19	5	4	355	280	430	700	M16X36
180L	2 4 6 8	48	110	14	42.5	300	250	350	19	5	4	355	280	430	740	M16X36
200L	2 4 6 8	55	110	16	49	350	300	400	19	5	4	397	305	480	770	M20X42
225S	4 8	60	140	18	53	400	350	450	19	5	8	445	335	535	815	M20X42
225M	2	55	110	16	49	400	350	450	19	5	8	445	335	535	820	M20X42
	4 6 8	60	140	18	53	400	350	450	19	5	8	445	335	535	845	M20X42
250M	2	60	140	18	53	500	450	550	19	5	8	485	370	595	920	M20X42
	4 6 8	65	140	18	58	500	450	550	19	5	8	485	370	595	920	M20X42
280S	2	65	140	18	58	500	450	550	19	5	8	547	410	650	995	M20X42
	4 6 8	75	140	20	67.5	500	450	550	19	5	8	547	410	650	995	M20X42
280M	2	65	140	18	58	500	450	550	19	5	8	547	410	650	1045	M20X42
	4 6 8	75	140	20	67.5	500	450	550	19	5	8	547	410	650	1045	M20X42

Note. Data May Change Without Notice



B35

Frame with feet and end-shield with flange | IM B35

Frame Size	Poles	A	A/2	B	C	D	E	F	G	H	K	M	N	P	S	T	Flange Holes	AB	AC	AD	HD	L	DH*
80M	2 4 6 8	125	62.5	100	50	19	40	6	15.5	80	10	165	130	200	12	3.5	4	165	155	145	220	295	M6X16
90S	2 4 6 8	140	70	100	56	24	50	8	20	90	10	165	130	200	12	3.5	4	180	175	155	250	320	M8X19
90L	2 4 6 8	140	70	125	56	24	50	8	20	90	10	165	130	200	12	3.5	4	180	175	155	250	345	M8X19
100L	2 4 6 8	160	80	140	63	28	60	8	24	100	12	215	180	250	15	4	4	205	196	180	270	385	M10X22
112M	2 4 6 8	190	95	140	70	28	60	8	24	112	12	215	180	250	15	4	4	230	220	190	300	400	M19X22
132S	2 4 6 8	216	108	140	89	38	80	10	33	132	12	265	230	300	14.5	4	4	270	259	210	345	470	M12X28
132M	2 4 6 8	216	108	178	89	38	80	10	33	132	12	265	230	300	14.5	4	4	270	259	210	345	510	M12X28
160M	2 4 6 8	254	127	210	108	42	110	12	37	160	15	300	250	350	19	5	4	320	315	255	420	615	M16X36
160L	2 4 6 8	254	127	254	108	42	110	12	37	160	15	300	250	350	1	5	4	320	315	255	420	660	M16X36
180M	2 4 6 8	279	139.5	241	121	48	110	14	42.5	180	15	300	250	350	19	5	4	355	355	280	455	700	M16X36
180L	2 4 6 8	279	139.5	279	121	48	110	14	42.5	180	15	300	250	350	19	5	4	355	355	280	455	740	M16X36
200L	2 4 6 8	318	159	305	133	55	110	16	49	200	19	350	300	400	19	5	4	395	397	305	505	770	M20X42
225S	4 8	356	178	286	149	60	140	18	53	225	19	400	350	450	19	5	8	435	445	335	560	815	M20X42
225M	2	356	178	311	149	55	110	16	49	225	19	400	350	450	19	5	8	435	445	335	560	520	M20X42
	4 6 8	356	178	311	149	60	140	18	53	225	19	400	350	450	19	5	8	435	445	335	560	845	M20X42
250M	2	406	203	349	168	60	140	18	53	250	24	500	450	550	19	5	8	490	485	370	615	920	M20X42
	4 6 8	406	203	349	168	65	140	18	58	250	24	500	450	550	19	5	8	490	485	370	615	920	M20X42
280S	2	457	228.5	358	190	65	140	18	58	280	24	500	450	550	19	5	8	550	547	410	680	995	M20X42
	4 6 8	457	228.5	358	190	75	140	20	67.5	280	24	500	450	550	19	5	8	550	547	410	680	995	M20X42
280M	2	457	228.5	419	190	65	140	18	58	280	24	500	450	550	19	5	8	550	547	410	680	1045	M20X42
	4 6 8	457	228.5	419	190	75	140	20	67.5	280	24	500	450	550	19	5	8	550	547	410	680	1045	M20X42
315S	2	508	254	406	216	65	140	18	58	315	28	600	550	660	24	6	8	635	620	530	845	1185	M20X42
	4 6 8 10	508	254	406	216	80	170	22	71	315	28	600	550	660	24	6	8	635	620	530	845	1220	M20X42
315M	2	508	254	457	216	65	140	18	58	315	28	600	550	660	24	6	8	635	620	530	845	1290	M20X42
	4 6 8 10	508	254	457	216	80	170	22	71	315	28	600	550	660	24	6	8	635	620	530	845	1325	M20X42
315L	2	508	254	508	216	65	140	18	58	315	28	600	550	660	24	6	8	635	620	530	845	1290	M20X42
	4 6 8 10	508	254	508	216	80	170	22	71	315	28	600	550	660	24	6	8	635	620	530	845	1325	M20X42
355M	2	610	305	560	254	75	140	20	67.5	355	28	700	680	800	24	6	8	730	698	655	1010	1500	M20X42
	4 6 8 10	610	305	560	254	95	170	25	86	355	28	700	680	800	24	6	8	730	698	655	1010	1530	M20X42
355L	2	610	305	630	254	75	140	20	67.5	355	28	700	680	800	24	6	8	730	698	655	1010	1500	M20X42
	4 6 8 10	610	305	630	254	95	170	25	86	355	28	700	680	800	24	6	8	730	698	655	1010	1530	M20X42

Note. Data May Change Without Notice

BEARING SIZE & INSTALLATION DRAWING

A-Y3e Series

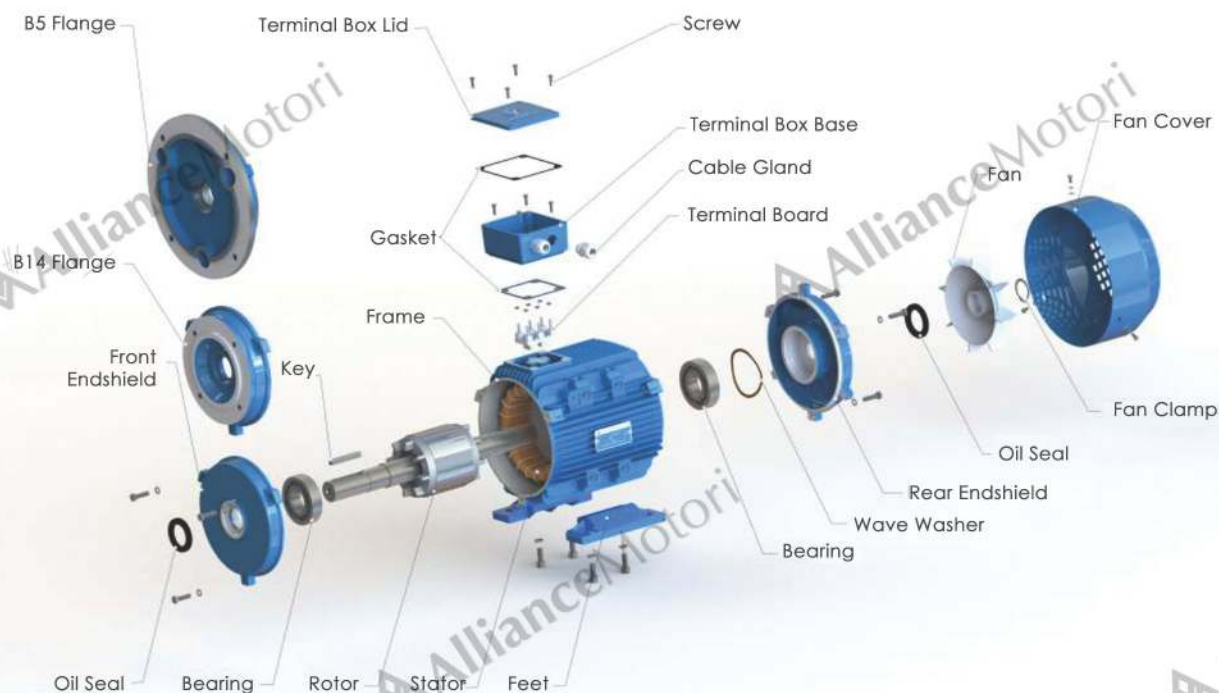
Frame Size	Poles	Drive End	Non-Drive End
		International Type	International Type
Y3e-56	2 ~ 4	62012RZ	62012RZ
Y3e-63	2 ~ 4	62012RZ	62012RZ
Y3e-71	2 ~ 6	62022RZ	62022RZ
Y3e-80	2 ~ 8	62042RZ	62042RZ
Y3e-90	2 ~ 8	62052RZ	62052RZ
Y3e-100	2 ~ 8	62062RZ	62062RZ
Y3e-112	2 ~ 8	63062RZ	63062RZ
Y3e-132	2 ~ 8	63082RZ	63082RZ
Y3e-160	2 ~ 8	63092ZC3	63092ZC3
Y3e-180	2 ~ 8	6311C3	6311C3

Frame Size	Poles	Drive End	Non-Drive End
		International Type	International Type
Y3e-200	2 ~ 8	6312C3	6312C3
Y3e-225	2 ~ 8	6313C3	6313C3
Y3e-250	2 ~ 8	6314C3	6314C3
Y3e-280	2	6314C3	6314C3
	4 ~ 8	6317C3	6317C3
Y3e-315	2	6317C3	6317C3
	4 ~ 10	NU319C3	6319C3
Y3e-355	2	6319C3	6319C3
	4 ~ 10	NU322C3	6322C3
Y3e-400	4 ~ 10	NU326C3	6326C3

MAIN DATA FOR TERMINAL BOX

Classified Number	Frame Size	Max. F. Amps	Entry Hole Size
			International Standard
1	H56-80	2.6	2 X M20 X 1.5
2	H90-100	6.8	2 X M25 X 1.5
3	H112-132	15.4	2 X M32 X 1.5
4	H160-180	42.5	2 X M40 X 1.5
5	H200-225	84.2	2 X M50 X 1.5
6	H250-280	166.6	2 X M63 X 1.5
7	H315	358	2 X M63 X 1.5
8	H355	546	2 X M63 X 1.5
9	H400	600	3 X M63 X 1.5

INSTALLATION DRAWING



Note. Data May Change Without Notice

The Mounting arrangements of the motors comply with IEC34-7 Recommendation. Three are four basic arrangements shown as the following tables and figures.

Fundamental arrangement	B3					
Mounting arrangement	B3	B6	B7	B8	V5	V6
Diagram						
Range of Manufacture (framesize)	56-400			56-160		

Fundamental arrangement	B5			B35		
Mounting arrangement	B5	V1	V3	B35	V15	V36
Diagram						
Range of Manufacture (framesize)	56-280	56-355	56-160	56-400	56-160	

Fundamental arrangement	B14					
Mounting arrangement	B14	B34	V18	V58	V19	V69
Diagram						
Range of Manufacture (framesize)	56-132					

Note. Data May Change Without Notice



www.alliancemotori.com

Authorized Dealer

The information provided in this catalogue contains descriptions or characteristics of performance which in case of actual use do not always apply as described or which may change as a result of further development of the products. An obligation to provide the respective characteristics shall only exist if expressly agreed in the terms of contract. Availability and technical specifications are subject to change without notice.